

F-SERIES

Network-Enabled Thermal Security Cameras



CUTTING EDGE THERMAL SECURITY CAMERAS, NOW WITH COMPLETE NETWORKING AND INTEGRATION FLEXIBILITY

F-Series thermal security cameras let you see intruders and other threats to your facility's security clearly in total darkness and in bad weather. Fully enabled for control and operation over digital and analog networks, F-Series imagers are available in 160 x 120, 320 x 240, and high-resolution 640 x 480 formats, providing up to four times the image clarity and longer threat detection range performance than lower resolution cameras.

BENEFITS OF F-SERIES THERMAL SECURITY CAMERAS:

- High-quality 24/7 thermal video security coverage
- Broad range of lenses available: 9 mm, 13 mm, 19 mm, 35 mm, 65 mm, and 100 mm for angular FOVs from 48° to 4.6°
- Exchangeable camera cassettes allow for quick upgrade or repair of sensors and optics
- Both IP and serial control interfaces for easy integration into digital networks or analog video environments.
- Open IP standards for plug-and-play integration and configuration in digital networks
- Multiple channels of streaming digital video available in H.264, MPEG-4, or M-JPEG formats
- Built-in web interface that enables comprehensive system setup and configuration capability
- Serial control and analog composite video output enable ready integration into legacy network designs
- Simultaneous digital and composite video output
- Fully compatible with a host of third-party accessories
- FLIR Sensor Manager single-device version included
- Auto Digital Detail Enhancement (DDE) built in for optimal image quality across all scene conditions
- High contrast imagery optimized to get the most out of video analytics software to create virtual perimeters
- No need for the expense and complication of added lighting infrastructure
- Clear vision in challenging conditions (lowlight, no light, backlight, haze, smoke, fog, etc.)



Camouflaged suspects are invisible to daylight CCD, but people can't hide their heat from FLIR thermal imagers.

F-SERIES

Camera Platform Type	Fixed	Fixed	Fixed
THERMAL CAMERA SPECS			
Array Format (NTSC)	160 x 120	320 x 240	640 x 480
Detector Type	Long-Life, Uncooled VOx Microbolometer	Long-Life, Uncooled VOx Microbolometer	Long-Life, Uncooled VOx Microbolometer
Effective Resolution	19,200	76,800	307,200
Pixel Pitch	25 µm	25 µm	25 µm
Focal Length	13 mm	9 mm, 13 mm, 19 mm, 35 mm, 65 mm, 100 mm	21.5 mm, 35 mm
Field Of View	17° x 14° (13 mm)	48° x 39° (9 mm) 34° x 28° (13 mm) 24° x 19° (19 mm) 13° x 10° (35 mm) 7° x 5° (65 mm) 4.6° x 3.7° (100 mm)	41° x 33° (21.5 mm) 26° x 21° (35 mm)
Zoom	2x E-zoom	2x E-zoom	2x E-zoom
Spectral Range	7.5 µm to 13.5 µm	7.5 µm to 13.5 µm	7.5 µm to 13.5 µm
Focus Range	Athermalized, focus-free	Athermalized, focus-free	Athermalized, focus-free

OUTPUTS

Composite Video NTSC or PAL	Standard	Standard	Standard
Video Over Ethernet	Standard: single channel MPEG-4 Advanced: dual channel streaming MPEG-4, H.264, and M-JPEG.	Standard: single channel MPEG-4 Advanced: dual channel streaming MPEG-4, H.264, and M-JPEG.	Standard: single channel MPEG-4 Advanced: dual channel streaming MPEG-4, H.264, and M-JPEG.

CONTROL

Point To Point (stand alone)	Standard	Standard	Standard
Ethernet	Standard	Standard	Standard
Serial	RS-232/-422/-485; Pelco D, Bosch	RS-232/-422/-485; Pelco D, Bosch	RS-232/-422/-485; Pelco D, Bosch
Network Enabled	Standard	Standard	Standard

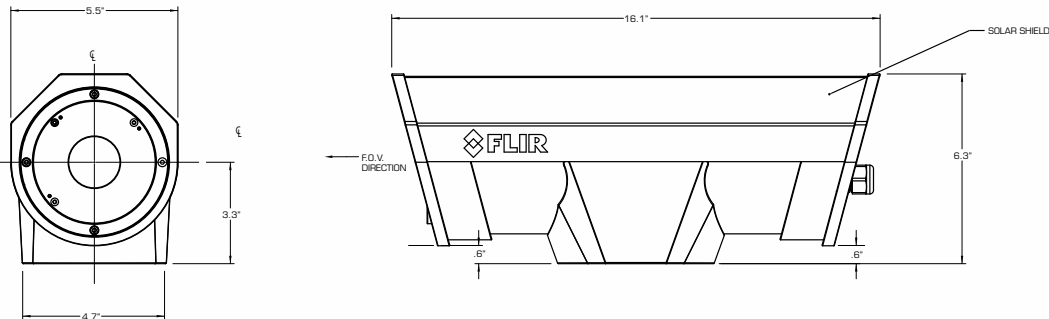
GENERAL

Weight	9 lb (configuration dependent)	9 lb (configuration dependent)	9 lb (configuration dependent)
Dimensions (L,W,H)	16.1" x 5.5" x 6.25" (409 mm x 140 mm x 159 mm)	16.1" x 5.5" x 6.25" (409 mm x 140 mm x 159 mm)	16.1" x 5.5" x 6.25" (409 mm x 140 mm x 159 mm)
Power Requirements	24 VDC or 24 VAC (+/-25%)	24 VDC or 24 VAC (+/-25%)	24 VDC or 24 VAC (+/-25%)
Power Consumption	10 W w/o heater 25 W w/ heater	10 W w/o heater 25 W w/ heater	10 W w/o heater 25 W w/ heater

SANTA BARBARA
Corporate Headquarters
 FLIR Commercial Vision Systems, Inc.
 70 Castilian Dr.
 Goleta, CA 93117
 USA
 PH: + 1 877 773 3547
 PH: + 1 805 964 9797
 FX: + 1 805 685 2711
 flir@flir.com

EUROPE
CVS Eurasian Headquarters
 FLIR Systems CVS BV
 Charles Petitweg 21
 4847 NW Teteringen - Breda
 Netherlands
 PH: +31 (0) 765 79 41 94
 FX: +31 (0) 765 79 41 99
 flir@flir.com

PORTLAND
Corporate Headquarters
 FLIR Systems, Inc.
 27700 SW Parkway Ave.
 Wilsonville, OR 97070
 USA
 PH: + 1 877 773 3547
 FX: + 1 503 498 3153
 sales@flir.com



Equipment described herein may require US Government authorization for export purposes. Diversion contrary to US law is prohibited.
 ©2009 FLIR Systems, Inc. Specifications are subject to change without notice, check our website: www.flir.com. 0906-408

www.flir.com

